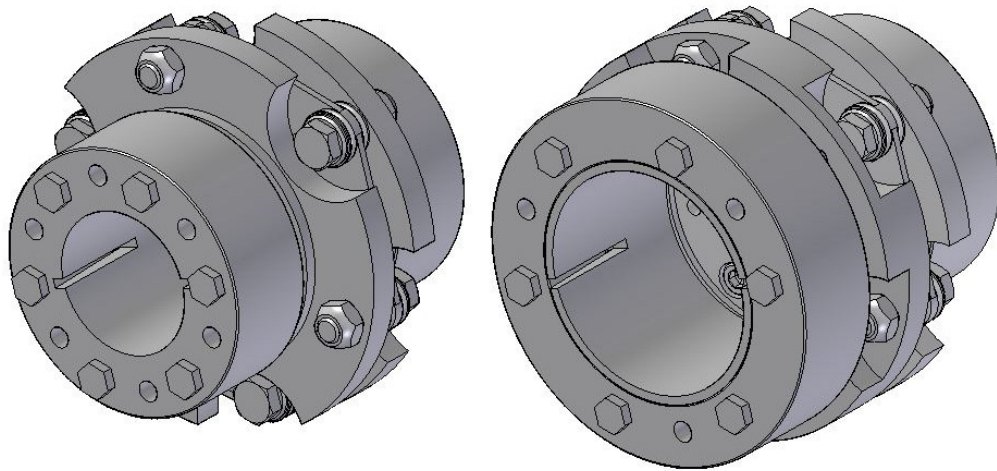


Torsionally Stiff Coupling for free floating Torque Sensor Assembly

950.___0/-P¹

Shrink Disc Hub



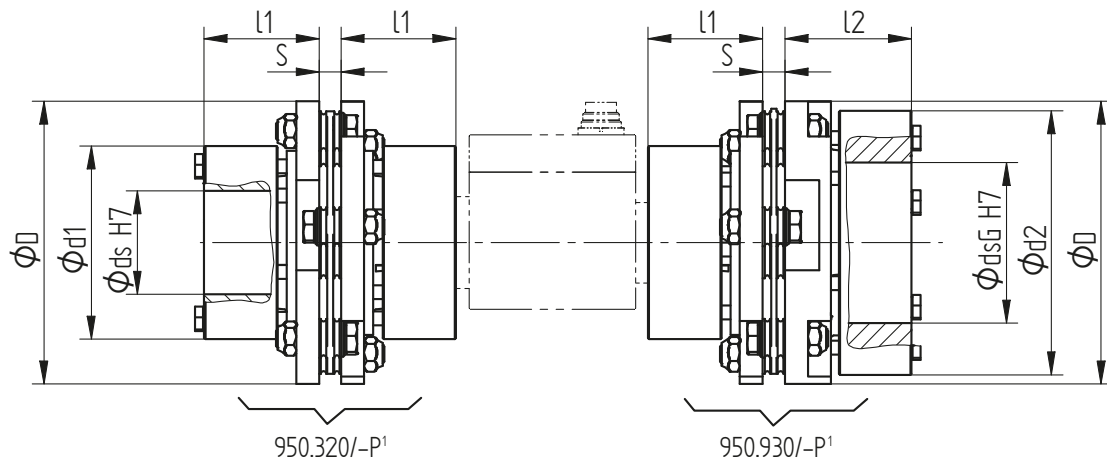
Coupling Size	Nominal Torque [N·m]		Article-No. 950.320	Weight [kg]	Article-No. 950.930	Weight [kg]	Article-No. 950.320-P ¹	Weight [kg]	Article-No. 950.930-P ¹	Weight [kg]
	Sensor	Coupling								
16	50 / 100 / 150	190	42889	1.1	48953	1.4	42876	1.2	49104	1.4
25	200	290	42890	1.6	49028	1.6	42878	1.6	49243	1.6
40	300	450	46701	2.3	49027	2.9	46291	2.3	49244	2.9
64	500	720	42891	3.8	41883	4.6	42879	3.8	49245	4.6
100	1000	1000	42892	5.9	44598	7.0	-	-	-	-
300	2000	3500	46282	16.4	-	-	-	-	-	-
500	3000 / 5000	5800	46283	30.4	-	-	-	-	-	-
1400	10000	15000	46573	78.0	-	-	-	-	-	-
2200	20000	24000	47703	106.0	-	-	-	-	-	-

¹ Add on „-P“ (version with keyway) for torque sensors such as type DR-2 and DR20

Mechanical Dimensions

Shrink disc hub, clamping extern

Shrink disc hub large



Coupling Size	Nominal Torque [N·m]		Limit Speed [min ⁻¹] ⁴	Dimensions [mm]									
	Sensor	Coupling		Ø D	Ø ds H7 ²		Ø dsG H7 ²		Ø d1	Ø d2	l1 ³	l2 ³	S
16	50 / 100 / 150	190	13600	77	14	26	25	45	53	77	35	40	7.1
25	200	290	11800	89	20	36	32	52	64	82	40	45	7.2
40	300	450	10100	104	25	45	40	60	74	100	45	50	8.4
64	500	720	8500	123	30	45	45	70	84	115	50	55	9.6
100	1000	1000	7300	143	35	55	55	90	104	143	55	60	10.0
300	2000	3500	6200	167	50	85	-	-	164	-	75	-	11.2
500	3000 / 5000	5800	5200	198	60	100	-	-	198	-	95	-	12.0
1400	10000	15000	3800	274	80	140	-	-	274	-	130	-	16.0
2200	20000	24000	3300	314	100	170	-	-	314	-	150	-	17.8

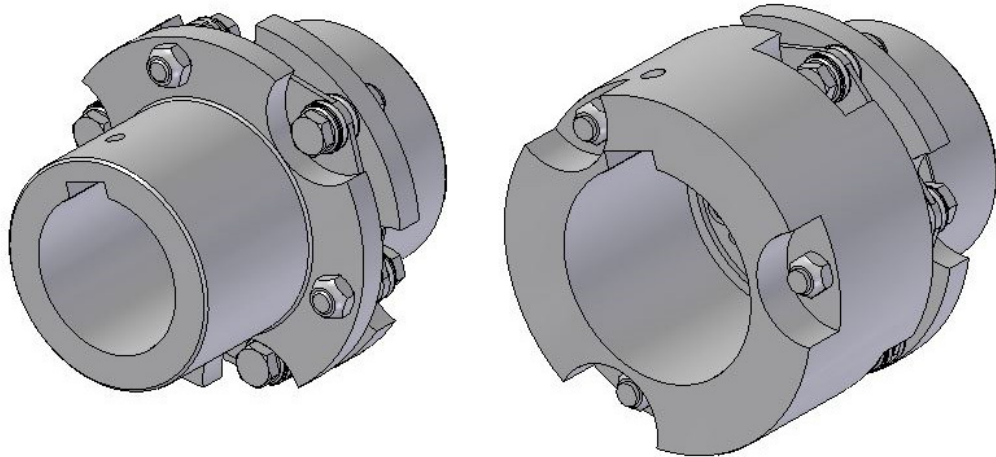
¹ Add on „-P“ (version with keyway) for torque sensors such as type DR-2 and DR20

² Please specify requested Ø ds or dsG at order

³ Mounting depth cylindrical shafts

⁴ Limit speed coupling

Key Hub



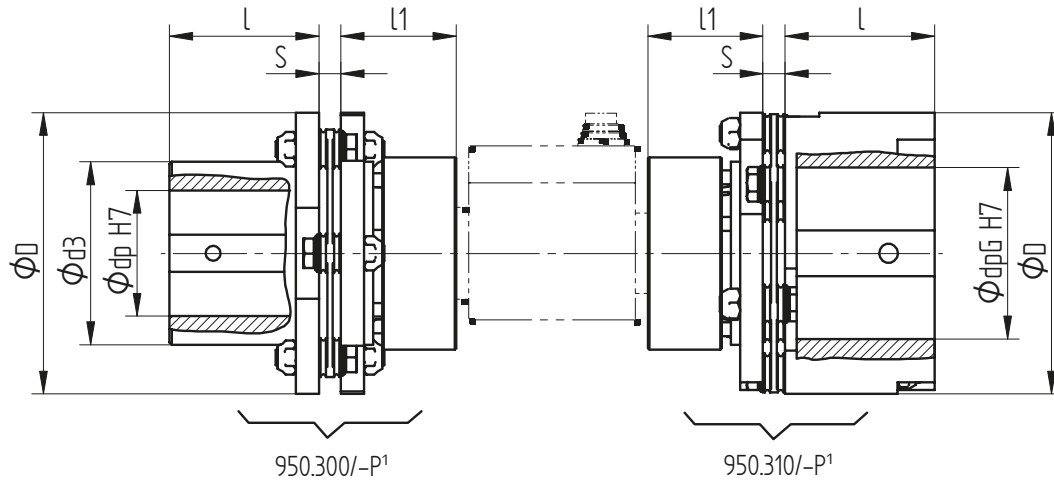
Coupling Size	Nominal Torque [N·m]		Article-No. 950.300	Weight [kg]	Article-No. 950.310	Weight [kg]	Article-No. 950.300-P ¹	Weight [kg]	Article-No. 950.310-P ¹	Weight [kg]
	Sensor	Coupling								
16	50 / 100 / 150	190	42893	1.1	42903	1.5	42880	1.1	42886	1.5
25	200	290	42894	1.5	42904	2.1	42881	1.5	42887	2.1
40	300	450	46963	2.2	41886	3.3	46290	2.2	47450	3.3
64	500	720	42895	3.8	42905	5.5	42882	3.8	42888	5.5
100	1000	1000	42896	6.0	42906	8.1	-	-	-	-
300	2000	3500	46284	12.8	-	-	-	-	-	-
500	3000 / 5000	5800	46575	22.6	-	-	-	-	-	-
1400	10000	15000	46458	58.9	-	-	-	-	-	-
2200	20000	24000	48027	85.2	-	-	-	-	-	-

¹ Add on „-P“ (version with keyway) for torque sensors such as type DR-2 and DR20

Mechanical Dimensions

Key hub

Key hub large



Coupling Size	Nominal Torque [N·m]		Limit Speed [min ⁻¹] ⁴	Dimensions [mm]								
	Sensor	Coupling		Ø D	Ø dp H7 ⁵		Ø dpG H7 ⁵		Ø d3	l ⁶	l¹ ⁶	S
16	50 / 100 / 150	190	13600	77	16	32	30	45	50	40	35	7.1
25	200	290	11800	89	20	40	35	55	60	45	40	7.2
40	300	450	10100	104	25	50	45	65	70	55	45	8.4
64	500	720	8500	123	30	55	55	75	80	65	50	9.6
100	1000	1000	7300	143	35	70	65	95	100	75	55	10.0
300	2000	3500	6200	167	45	90	-	-	121	90	75	11.2
500	3000 / 5000	5800	5200	198	55	105	-	-	141	100	95	12.0
1400	10000	15000	3800	274	75	140	-	-	190	150	130	16.0
2200	20000	24000	3300	314	90	170	-	-	230	180	150	17.8

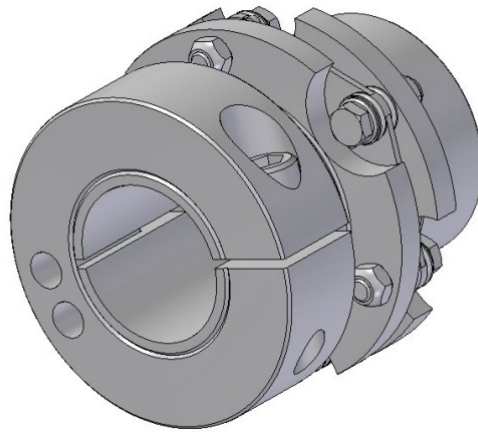
¹ Add on „-P“ (version with keyway) for torque sensors such as type DR-2 and DR20

⁴ Limit speed coupling

⁵ Please specify requested Ø dp or dpG at order

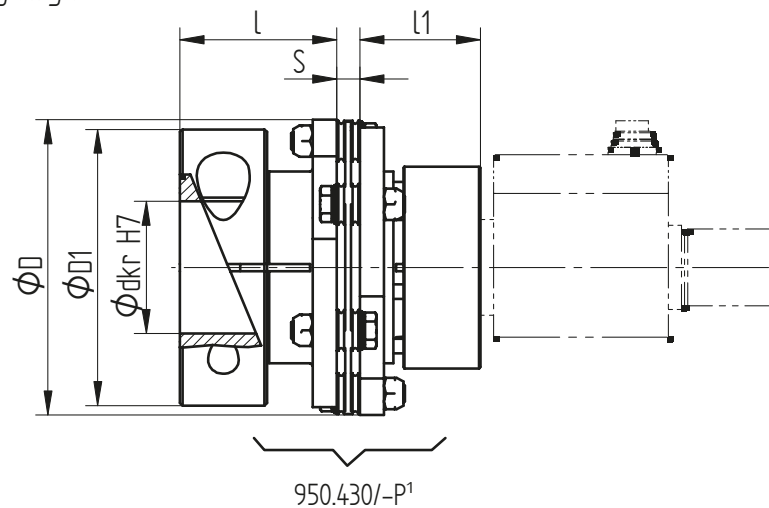
⁶ Mounting depth cylindrical shaft

Clamping Ring Hub



Coupling Size	Nominal Torque [N·m]		Article-No. 950.430	Weight [kg]	Article-No. 950.430-P ¹	Weight [kg]
	Sensor	Coupling				
16	50 / 100 / 150	190	42897	1.4	42883	1.4
25	200	290	42898	2.0	42884	2.0
40	300	450	46322	3.2	46293	3.2
64	500	720	42899	5.2	42885	5.2
100	1000	1000	42900	8.0	-	-

Clamping ring hub



Coupling Size	Nominal Torque [N·m]		Limit Speed [min ⁻¹] ⁴	Dimensions [mm]						
	Sensor	Coupling		Ø D	Ø D1	Ø dkr H7 ⁷		l ⁶	l1 ⁶	S
16	50 / 100 / 150	190	9500	77	73	20	35	40	35	7.1
25	200	290	8200	89	84	22	40	45	40	7.2
40	300	450	7000	104	97	25	45	55	45	8.4
64	500	720	6000	123	115	28	55	65	50	9.6
100	1000	1000	5100	143	135	32	68	75	55	10.0

¹ Add on „-P“ (version with keyway) for torque sensors such as type DR-2 and DR20

⁴ Limit speed coupling

⁶ Mounting depth cylindrical shaft

⁷ Please specify requested Ø dkr at order

Order Examples

950.□□⁸ □□⁹ G□□¹⁰ -□□¹¹ -□□¹²

Example 1

Shrink disc hub large, coupling size 16, bore hub 1 (Ø torque sensor shaft) Ø 18 mm with feather key groove, bore hub 2 (Ø customer shaft) Ø 40 mm

950.930-P G16-18-40

Example 2

Clamping ring hub, coupling size 100, bore hub 1 (Ø torque sensor shaft) Ø 50mm, bore hub 2 (Ø customer shaft) Ø 68 mm

950.430 G100-50-68

⁸ Hub-type no. (as shown in the drawing)

⁹ Add on „-P“ (version with keyway) for torque sensors such as type DR-2 and DR-20

¹⁰ Coupling size

¹¹ Bore hub 1 (Ø torque sensor shaft)

¹² Bore hub 2 (Ø customer shaft)