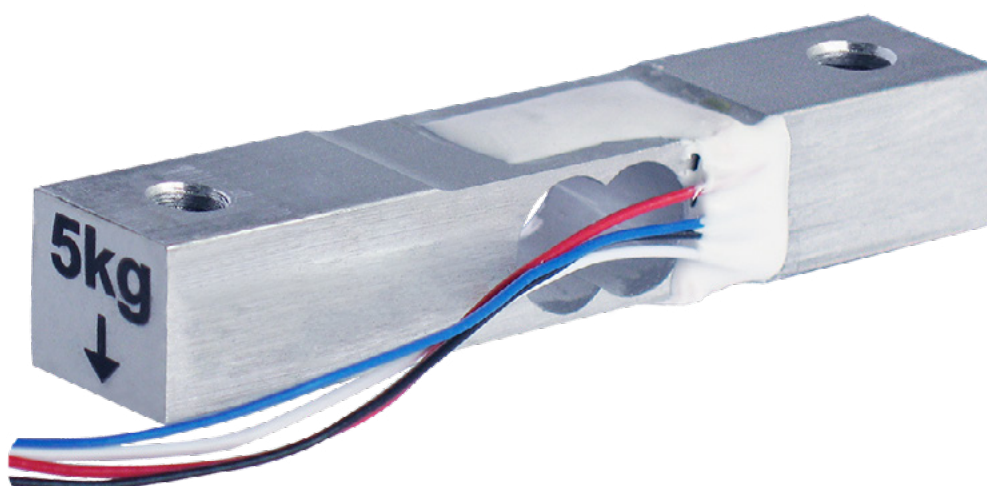


## Single Point Load Cell BEF-F with a Rated Load of 3 ... 5 kg



### Performance Features

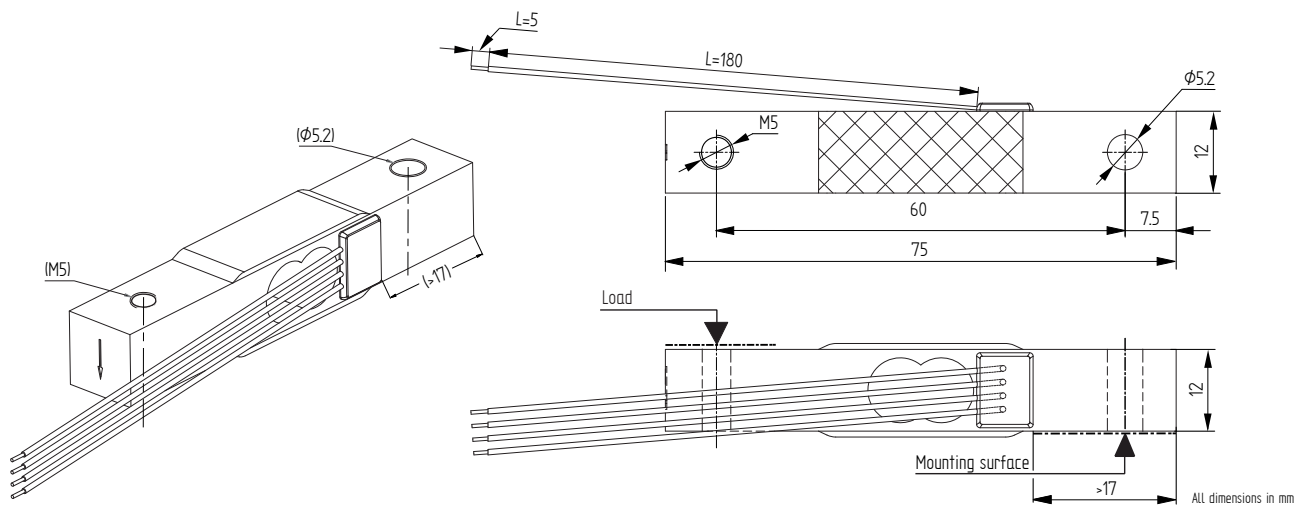
- Aluminum single point load cell
- Accuracy class: 0.1 %
- Designed for platforms of maximum dimensions 150 mm x 150 mm (off-center load compensate)
- Compact and easy to install
- Ideally suited for low cost weighing and force measurement applications

### Application

- Food industry
- Coal and steel industry
- Chemical / pharmaceutical industry
- Waste management / recycling
- Packaging technology



## Dimensions in mm



Article-No.	Version	Rated load [kg]
110410	-	3
109569	-	5

## Connection Assignment

Electrical Connection		
Function	Wire Color	
Excitation (+)	Red	●
Signal (+)	Black	●
Signal (-)	Blue	●
Excitation (-)	White	○

## Technical Data

Type	BEF-F	
Version		-
Rated load <b>E</b>	kg	3; 5
Maximum load for approved weighing <b>E<sub>max</sub></b>	kg	-
Accuracy class OIML R60		-
Maximum numbers of load cell intervals <b>n<sub>max</sub></b>	d OIML	-
Minimum verification interval <b>v<sub>min</sub></b>	g	-
Creep division factor $Z = E_{max}/2 \times DR$		-
Combined error	% E	±0.1
Temperature coefficient of zero signal	% E/°C	±0.1
Temperature coefficient of characteristic value	% E/°C	±0.015
Load creep <b>d<sub>cr, F</sub></b> in 30 min.	% E	±0.1
Zero balance	% E	±1
Rated output at E <b>C<sub>nom</sub></b>	mV/V	1.3 ±15 %
Rated range of excitation voltage <b>B<sub>U, nom</sub></b>	V	1 ... 15
Input resistance <b>R<sub>e</sub></b>	Ω	1000 ±20
Output resistance <b>R<sub>a</sub></b>	Ω	1000 ±5
Insulation resistance <b>R<sub>is</sub></b>	MΩ/50V	1000
Electrical connection		Cable, PVC, 0.18 m
Rated temperature range <b>B<sub>T, nom</sub></b>	°C	-10 ... 40
Operating temperature range <b>B<sub>T, G</sub></b>	°C	-20 ... 60
Limit load <b>E<sub>lim</sub></b>	% E <sub>max</sub>	150
Breaking load <b>E<sub>b</sub></b>	% E <sub>max</sub>	200
Tightening torque	Nm	5
Maximum platform dimension	mm	150 x 150
Level of protection		IP60
Material		Aluminum
Weight	kg	0.022

## Options

Article-No.	Description
111735	Protective coating

## Accessories

### Electrical Connection

Article-No.	Description
10323	Male cable connector KS6 (6-pin, Series 581) incl. mounting
10320	Male cable connector KSSH15 (15-pin) incl. mounting
43418	Input connector ZA9612FS (ALMEMO) incl. sensor mounting and connector calibration
49205	Input connector ZKD712FS (ALMEMO 202) incl. sensor mounting and connector calibration

## Weighing Electronics

ALCJB-A	CPJ/CPJ2S	IPE50 Panel
		

Further suitable accessories you can find on our homepage under:

[https://www.lorenz-messtechnik.de/english/products/lc\\_weighing-electronics.php](https://www.lorenz-messtechnik.de/english/products/lc_weighing-electronics.php)