

Digital Weighing Indicator IPC50



Data sheet



Performance Features

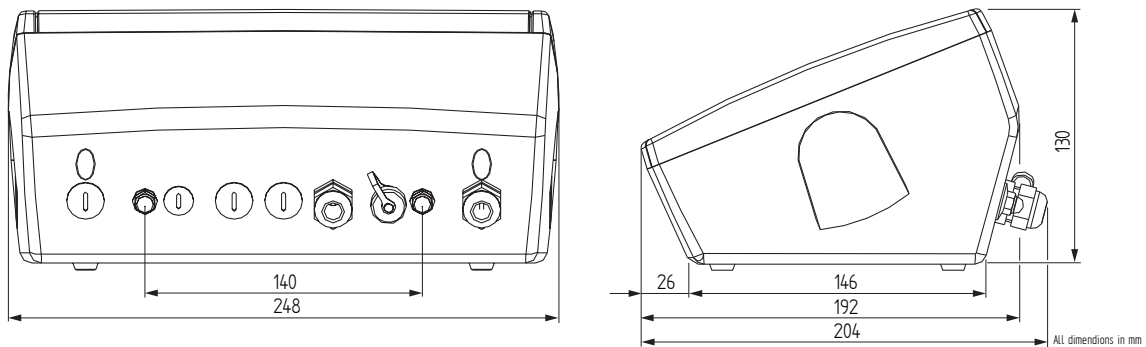
- Approved up to 10000d or 3x3000d according to EN 45501 OIML R76
- Up to 8 load cells 350 Ω (4 or 6 wire)
- Integrated rechargeable battery
- 2 RS232 outputs, 1 RS485 output in option
- Waterproof 17-keys functional keyboard
- Panel meter with ABS housing (IP54)
- Analog output in option

Application

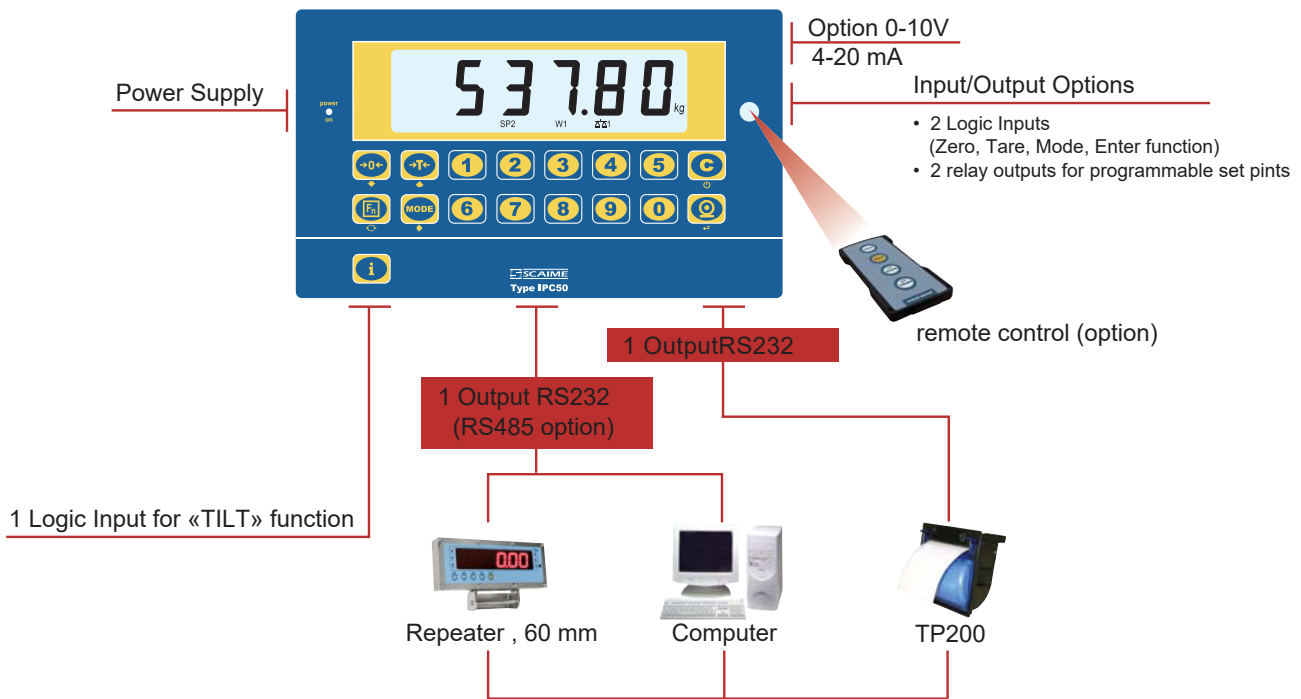
- Research and development
- Process measuring and control technology
- Automotive engineering
- Energy and environmental technology
- Mechanical engineering



Dimensions in mm



Interface diagram



Function

- Manual zero setting, auto zero at the start-up, zero tracking
- Semi-automatic tare, manual tare, 10 stored tare memor-values
- "TILT" function
- Programmable printing of weighing tickets
- Display of metrological parameters
- Identification data key-in
- Keyboard lock
- Selection of 5 digital filters
- Test mode to display the internal resolution, microvolt, etc. or A/D converter resolution
- Select and modify the gravity zone
- Calibration with 3 linearization points
- Quick zero calibration without affecting span adjustment

Function modes

- Kg/lb conversion
- Gross/Net switching
- Input/Output
- Master/Slave networking: control a network from 1 to 4 other IPC50 in repeater or summation mode
- DSD (Data Storage Device): 131000 weight data storage
- High resolution display (sensitivity x10)
- HOLD mode: Allows to freeze the weight on display
- PEAK detection mode: Max. measured weight storage
- Horizontal totalization (sum of batches): Net weight totalization with zero scale passing
- Vertical totalization (container filling): Net weight totalization with tare operation before each accumulation
- Pieces counting
- Set point detection on gross or net weight (optional)

Technical Data

Type		Digital Weighing Indicator IPC50
Article-No.	107819	
General Data		
Power supply	VDC / VAC	12: Integrated battery (40 h with 350 Ω load cell) / 110...220: external adapter
Excitation voltage for load cells	VDC / mA	5 / 120
Min. input resistance load cells	Ω	42
Input signal load cell	mV/V	0 ... 16
Rated temperature range	°C	-10 ... 40
Display	LED	6 Digits, 25 mm, backlighted
Level of protection	EN 60529	IP54
Housing	ABS	
Metrological Characteristics		
Internal resolution (AD converter)	Bit	24
Measuring rate	1/s	max. 100 (with 6 load cells)
Displayed resolution	d	up to 200000 (high resolution)
Min. signal by verified interval	μV	0,3
Legal Metrology OIML		
Accuracy class		OIML R76 - III
Max. Number of extensions x intervals	d=e	1 x 10000, 3 x 3000
Digital Inputs / Outputs		
Logic Input		«TILT»- Funktion
2 logical inputs	VDC / mA	12...24 / 20 max.
2 static relay outputs	VDC / A	48 / 0,1
Interfaces		
2 Serial outputs	RS232	for print, repeater or PC

Options

Article-No.	Description
109497	2I/2O card: 2 logical inputs 12...24VDC, 20mA, 2 relay outputs 48VDC, 0,1A
111175	Analog output card 0...10 V, 16 bit, 10 KΩ min. or 4...20 mA, 16 Bit, 10 kΩ min
111176	RS485 interface card, replace 1 Output RS232
111869	DSD + time/date card, Alibi memory for 131000 records
111868	Time/ date card

Accessories

IPE 50 XLR 2S Repeater	IPE 50 XLI 2S Remote control	IPC 50/IPE 50 TP200 Printer	IPC 50/IPE 50 XLR Wall bracket
			Fixed bracket Adjustable bracket

Further suitable accessories you can find on our homepage under:

https://www.lorenz-messtechnik.de/english/products/lc_weighing-electronics.php